

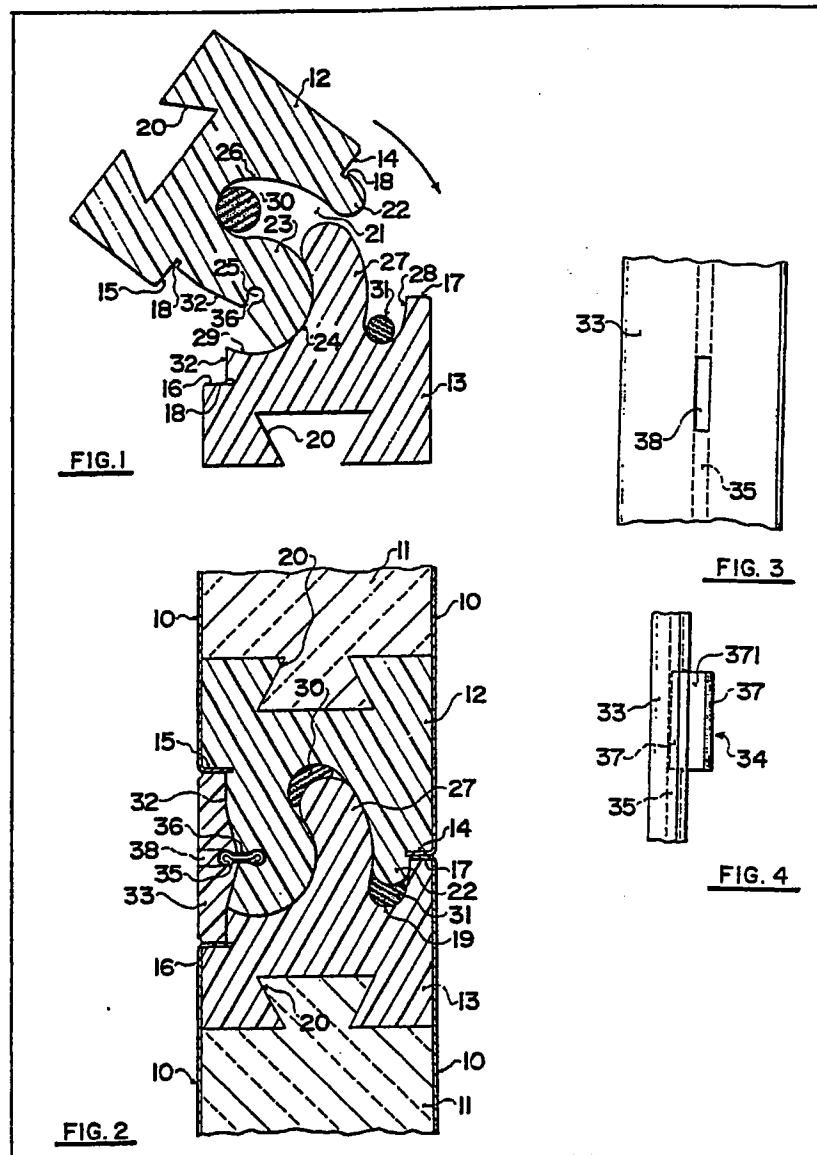
# (12) UK Patent Application (19) GB (11) 2 117 813 A

- (21) Application No 8308941
- (22) Date of filing 31 Mar 1983
- (30) Priority data
- (31) 8210167
- (32) 6 Apr 1982
- (33) United Kingdom (GB)
- (43) Application published 19 Oct 1983
- (51) INT CL<sup>3</sup>  
E04B 2/82
- (52) Domestic classification  
E1D 103 358 421 523  
F155 LES2  
U1S 1742 1966 E1D
- (56) Documents cited  
GBA 2099038  
GBA 2063952  
GBA 2016574  
GB 1555087  
GB 1307026  
GB 0436275
- (58) Field of search  
E1D
- (71) Applicant  
Leonid Ostrovsky,  
62 Blackthorne Bay,  
Winnipeg, Manitoba,  
Canada, R2P 1S9
- (72) Inventor  
Leonid Ostrovsky
- (74) Agent and/or Address for  
Service  
Withers and Rogers,  
4 Dyer's Buildings,  
Holborn, London  
EC1N 2JT

(54) Pivotal assembly of insulated wall panels

(57) The joint assembly comprises a pair of strips 13, 12 secured to the edges of respective panels by folding the outer skins 10 and by a dovetail joint 20 with the foam insulation material 11. The connecting strips provide a curved tongue 27 and groove 21. The groove strip has a pivotal body 23 of part-cylindrical

shape so that one strip can be pivoted relative to the other for tongue 27 to enter groove 21. Pivotal body 23 lies to one side of tongue 27 and intermediate the height thereof so that in the desired orientation, the curved surfaces of tongue 27 and groove 21 prevent withdrawal of tongue 27 by linear movement. A locking strip 33 can be inserted into a groove; it includes spaced clips 34.



GB 2 117 813 A

2117813

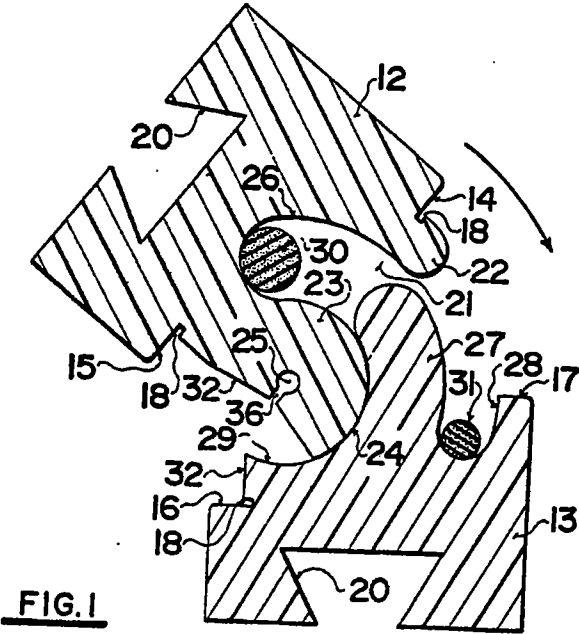


FIG. 1

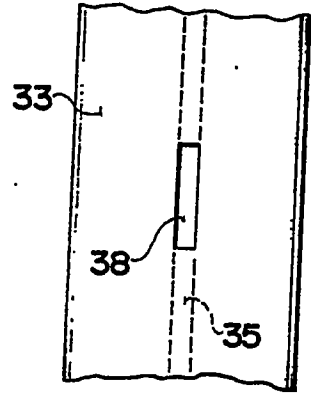


FIG. 3

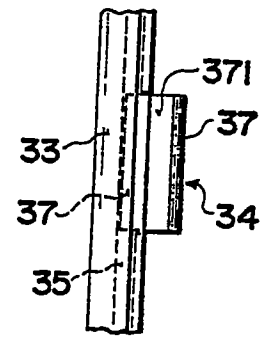


FIG. 4

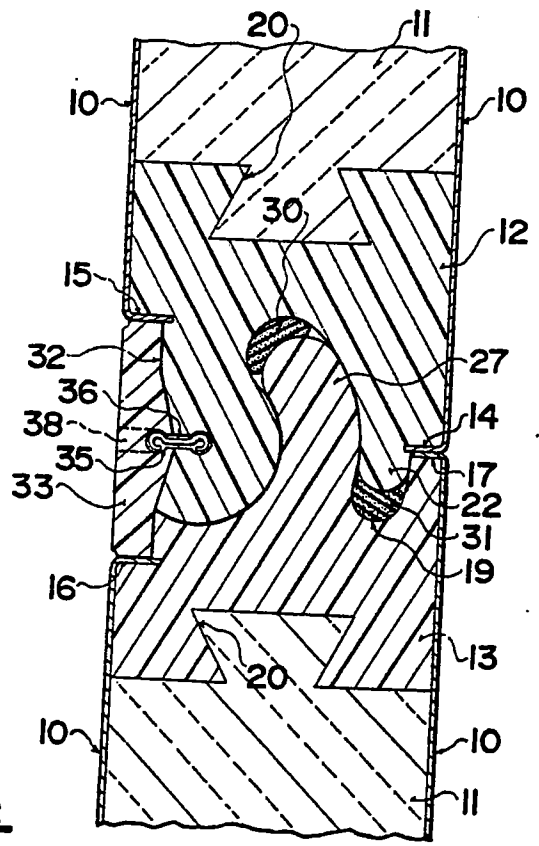


FIG. 2

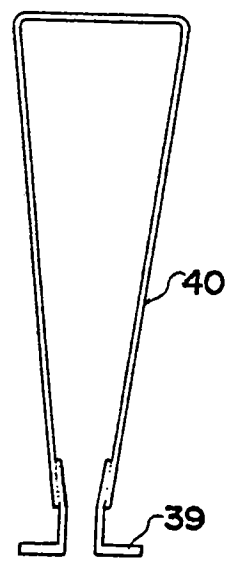


FIG. 5